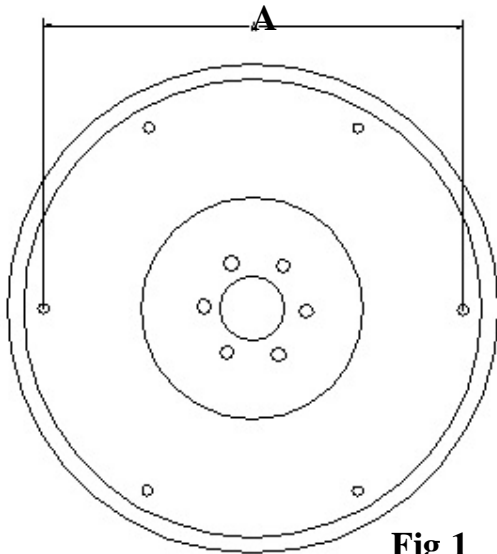




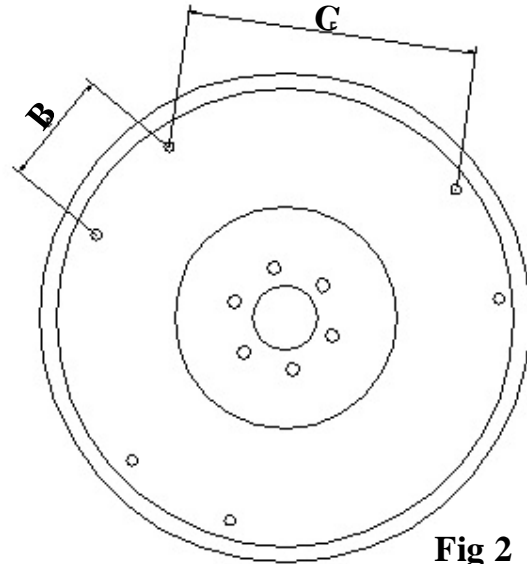
**MAKE IT MODERN!**  
Five & Six Speed Conversion Specialists!

Flywheel clutch bolt pattern chart



**Fig 1**

Equidistant pattern



**Fig 2**

3 Sets of two (Long pattern)

Make	Clutch size	Equidistance Pattern Dia. A	Short pair Dia. B	Long Pair Dia C	Pressure plate bolt size	Alignment dowels	Figure
Ford 9" long	9"		2-27/32"	7-1/8"	5/16"-18		2
Ford 10" Long	10"		3-1/8"	7-7/8"	5/16"-18		2
Ford 5.0L HO	10.4"	11-3/8"	5.688"	5.688"	8mm	3	1
Chevy/Dodge	10.5"	11-5/8"	5.813"	5.813"	3/8"-16		1
Ford 11" Long	11"		3-3/8"	8-9/16"	5/16"-18		2
Ford (BBCO)	11.5" 12"		3-9/16"	8-15/16"	5/16"-18		2
Ford Modular	11"	12-3/8"	6.188"	6.188"	10mm	3	1
Ford	11"	12-3/8"	6.188"	6.188"	3/8"-16		1
Chevy/Dodge/Some Fords	11-12"	12-5/8"	6.313"	6.313"	3/8"-16		1

For more information call or Email us  
(208) 453-9800

[info@moderndriveline.com](mailto:info@moderndriveline.com)